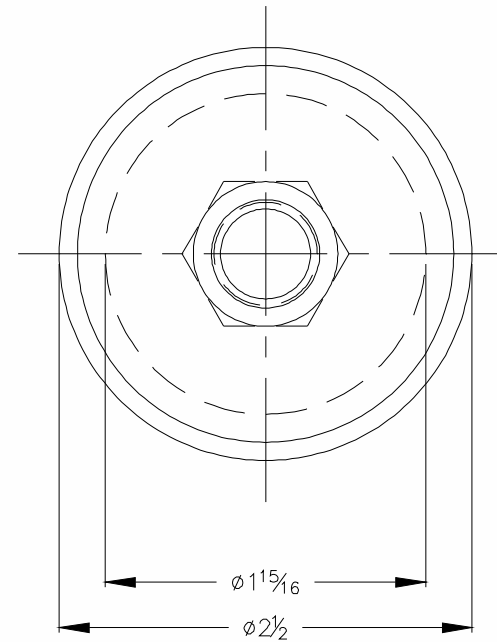
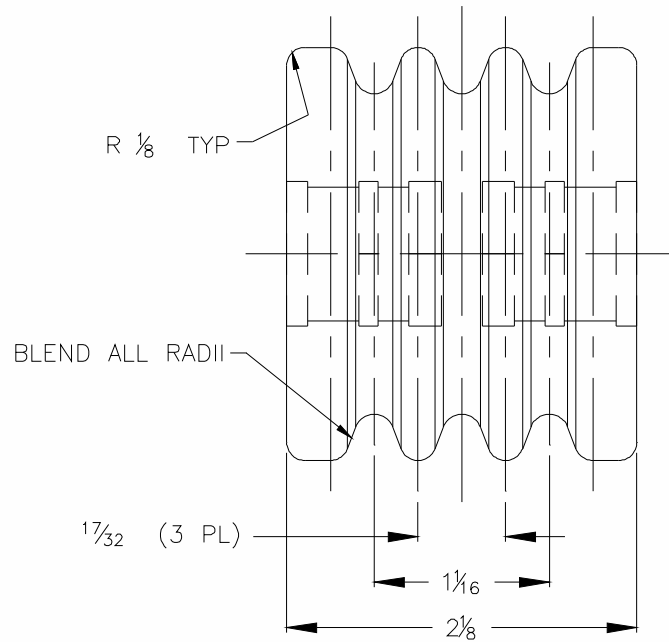


Bill Of Material

Item	Part Number	Insert	Material
1	AR1641-14A	1022	Glass Reinforced Polyester
2	AR1641-11A	1001	Glass Reinforced Polyester
3	AR1641-13A	1013	Glass Reinforced Polyester
4	AR1641-16A	1016	Glass Reinforced Polyester



This document, and the information it contains, shall remain the proprietary property of Penn Compression Moulding Inc. No reproduction or use of this information is permitted without the express written permission of P.C.M., Inc.

PART NUMBER AR1641-11A SHOWN

B	Reworded Material Type	MRP	3-4-03
A	Redrawn with Autocad LT 2000; $\phi 1 \frac{15}{16}$ was $\phi 1.96$; $\frac{17}{32}$ was 0.50; $R \frac{1}{8}$ was R0.13; added *Blend all Radii	MRP	10-10-00
Ltr.	Revision Record	App.	Date

Tolerances
Unless otherwise Specified
Fractional +/- .015
2 plc dec. +/- .010
3 plc dec. +/- .005
Dia. +/- .006
Angles +/- 1/2°
1 plc. mm +/- 0.5
2 plc. mm +/- 0.13



Penn Compression Moulding Inc.
540 Pacific St. Irwin, Pa. 15642

Name: 1641 Series Standoff Insulator		Size: A
Dr. TAS 9/15/97	Chk. ACK	App. B. Livingston
Scale NTS	Dwg No. 1641	Sheet 1 of 1
		Rev. B