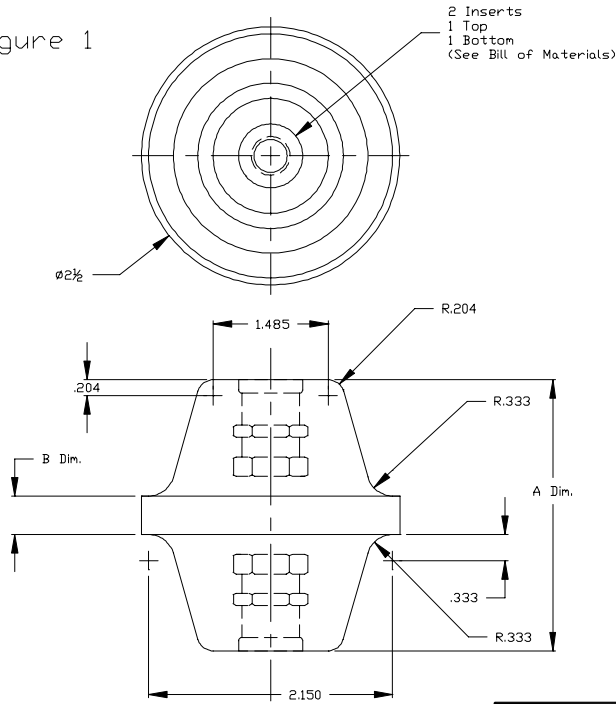


Figure 1



Item	Part Number	Figure	A Dim.	B Dim.
1	AR2781-BME	1	3 1/2	1 1/4
2	AR2781-11B	1	2 3/4	1/2
3	AR2781-11C	1	3	3/4
4	AR2781-11E	1	3 1/2	1 1/4
5	AR2781-11SAL	1	2 5/8	3/8
6	AR2781-11SST	1	2 5/8	3/8
7	AR2781-13AAL	1	2 1/2	1/4
8	AR2781-13AST	1	2 1/2	1/4
9	AR2781-13BAL	1	2 3/4	1/2
10	AR2781-13BST	1	2 3/4	1/2
11	AR2781-13CST	1	3	3/8
12	AR2781-13D	1	3 1/4	7/8
13	AR2781-13EAL	1	3 1/2	7/8
14	AR2781-13EST	1	3 1/2	1 1/4
15	AR2781-13F	1	3 3/4	1 1/2
16	AR2781-13SST	1	2 5/8	1 3/8
17	AR2781-16A	1	2 1/2	1/4
18	AR2781-16B	1	2 3/4	1/2
19	AR2781-16B-30	1	2 3/4	1/2
20	AR2781-16C	1	3	3/4
21	AR2781-16D	3	3 1/4	1 1/2
22	AR2781-16E	1	3 1/2	1 1/4
23	AR2781-16F	2	3 3/4	7/32
24	AR2781-16S	1	2 5/8	3/8

This document and the information it contains, shall remain the proprietary property of Penn Compression Moulding Inc. No reproduction or use of this information is permitted without the express written permission of P.C.M., Inc.

<p>Tolerances Unless otherwise Specified Fractional +/- .015 2 plc dec. +/- .010 3 plc dec. +/- .005 4 plc dec. +/- .0005 Dia. +/- .006 Angles +/- 1/2° 1 plc. mm +/- .5 2 plc. mm +/- .13</p>		<p><b>PCMW</b> Compression Moulding Inc. 540 Pacific St. Irwin, Pa. 15642</p>	
<p>Name: Standoff Insulator, Arc Resistant</p>			
Dr.	TAS 2/20/97	Chk.	A. Klaus
		App.	B. Livingston
Scale	Dwg No.	Sheet	Rev.
NTS	AR2781	1 of 2	C

Figure 2

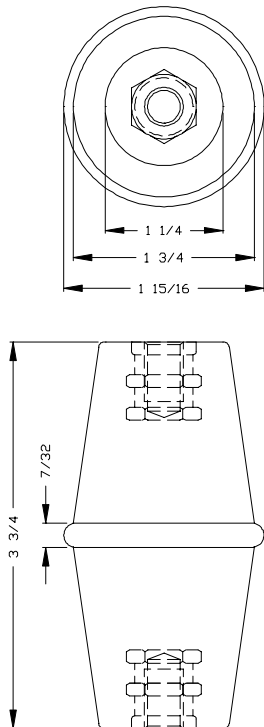
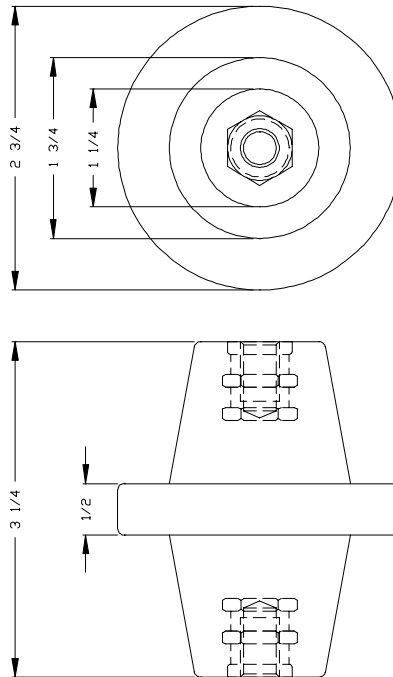


Figure 3



This document and the information it contains, shall remain the proprietary property of Penn Compression Moulding Inc. No reproduction or use of this information is permitted without the express written permission of P.C.M., Inc.

<p>Tolerances Unless otherwise Specified Fractional +/- .015 2 plc dec. +/- .010 3 plc dec. +/- .005 4 plc dec. +/- .0005 Dia. +/- .006 Angles +/- 1/2° 1 plc. mm +/- .5 2 plc. mm +/- .13</p>		<p><b>PCMW</b> Compression Moulding Inc. 540 Pacific St. Irwin, Pa. 15642</p>	
<p>Name: Standoff Insulator, Arc Resistant</p>			
Dr.	TAS 2/20/97	Chk.	A. Klaus
		App.	B. Livingston
Scale	Dwg No.	Sheet	Rev.
NTS	AR2781	2 of 2	C