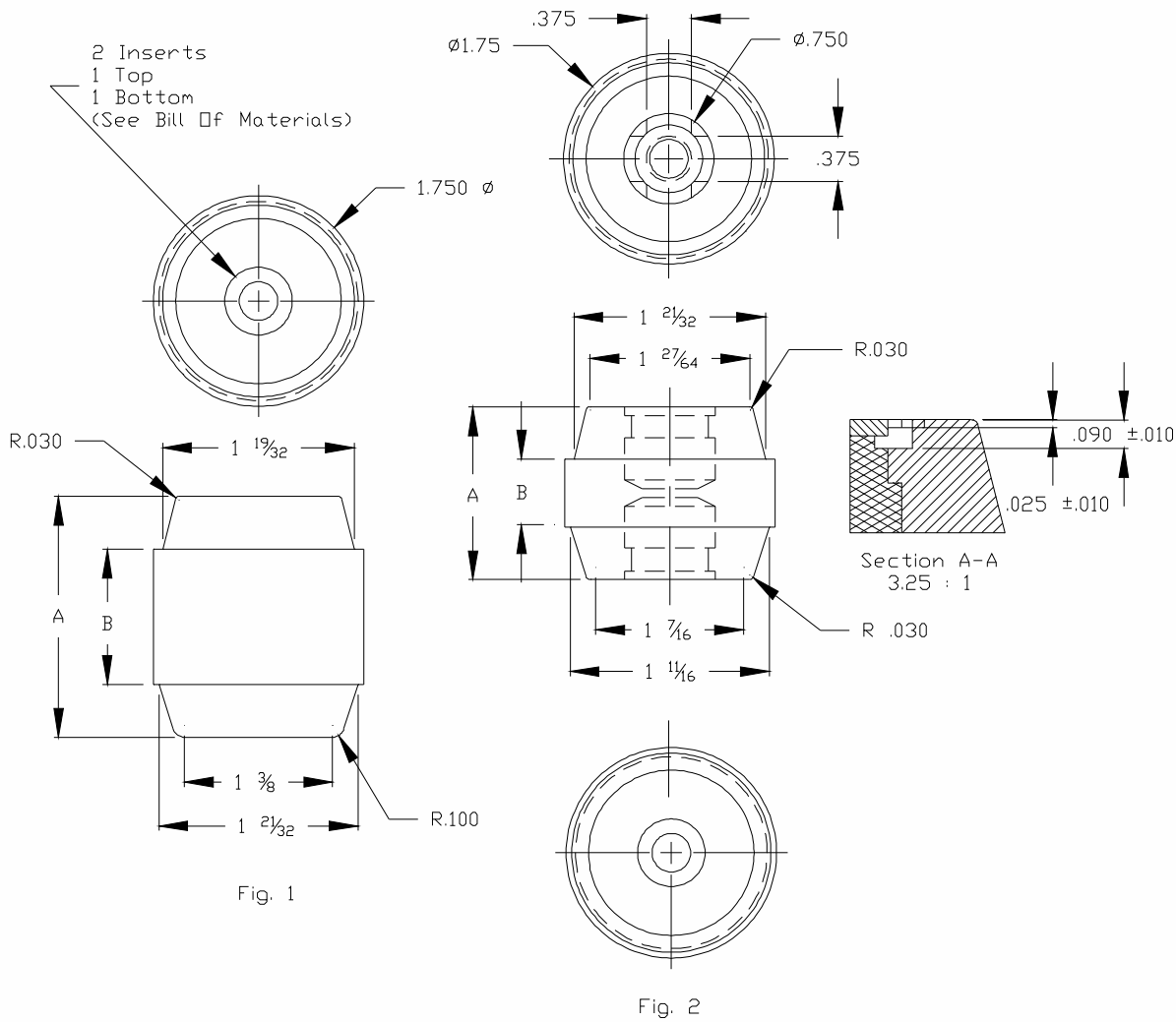


This document, and the information it contains, shall remain the proprietary property of Penn Compression Moulding Inc. No reproduction or use of this information is permitted without the express written permission of P.C.M., Inc.



Item	Part Number	Fig.	A Dim.	B Dim.
1	AR3061-8MA	1	1 3/8	1/2
2	AR3061-8MB	1	1 1/2	5/8
3	AR3061-8ME	1	2 1/4	1 3/8
4	AR3061-10MD	1	2	1 1/8
5	AR3061-11E	1	2 1/4	1 3/8
6	AR3061-13D	1	2	1 1/8
7	AR3061-13E	1	2 1/4	1 3/8
8	AR3061-16AAL	2	1 3/8	1/2
9	AR3061-16AST	2	1 3/8	1/2
10	AR3061-16B	1	1 1/2	5/8
11	AR3061-16C	1	1 3/4	7/8
12	AR3061-16CW	1	1 3/4	7/8
13	AR3061-D1	1	2 1/8	1 1/4
14	AR3061-16DST	1	2	1 1/8
15	AR3061-16E	1	2 1/4	1 3/8
16	AR3061-16F	1	2 1/2	1 5/8
17	AR3061-16G	1	2 3/4	1 7/8
18	AR3061-16S	1	1 3/16	5/16
19	AR3061-16SQ	1	1 1/4	3/8
20	AR3061-18B	1	1 1/2	5/8
21	AR3061-20A	1	1 3/8	1/2
22	AR3061-20B	1	1 1/2	5/8
23	AR3061-20SQ	1	1 1/4	3/8


Tolerances Unless otherwise Specified Fractional +/- .015 2 plc dec. +/- .010 3 plc dec. +/- .005 Dia. +/- .006 Angles +/- 1/2° 1 plc. mm +/- .05 2 plc. mm +/- .13		Penn Compression Moulding Inc. 540 Pacific St. Irwin, Pa. 15642	
Name:		3061 Series Standoff Insulator	
Dr.	TAS 2/03/97	Chk.	A. Klaus
		App. B. Livingston	
Scale	Dwg No.	Sheet	Rev.
NTS	AR3061	1 of 2	C

C	Revised Material Type	MRP	3-4-03
B	Changed insert numbers to the ones we use	TAS	1-11-00
A	Changed item 4 insert no. from 1043 to 0223	BCL	4-21-99
Ltr.	Revision Record	App.	Date

This document, and the information it contains, shall remain the proprietary property of Penn Compression Moulding Inc. No reproduction or use of this information is permitted without the express written permission of P.C.M., Inc.

Bill of Materials					
Item	Part Number	Insert Number	Qty.	Rating (Volts)	Thermoset Molding Compound
1	AR3061-8MA	0113	2	600	Glass Reinforced Polyester
2	AR3061-8MB	0113	2	1500	Glass Reinforced Polyester
3	AR3061-8ME	0123	2	2700	Glass Reinforced Polyester
4	AR3061-10MD	0223	2	2300	Glass Reinforced Polyester
5	AR3061-11E	1001	2	2700	Glass Reinforced Polyester
6	AR3061-13D	1013	2	2300	Glass Reinforced Polyester
7	AR3061-13E	1013	2	2700	Glass Reinforced Polyester
8	AR3061-16AAL	1020	2	600	Glass Reinforced Polyester
9	AR3061-16AST	1043	2	600	Glass Reinforced Polyester
10	AR3061-16B	1043	2	1500	Glass Reinforced Polyester
11	AR3061-16C	1016	2	2000	Glass Reinforced Polyester
12	AR3061-16CW	1016	2	2000	Glass Reinforced Polyester
13	AR3061-16D1	1016	2	2300	Glass Reinforced Polyester
14	AR3061-16DST	1016	2	2300	Glass Reinforced Polyester
15	AR3061-16E	1016	2	2700	Glass Reinforced Polyester
16	AR3061-16F	1016	2	2700	Glass Reinforced Polyester
17	AR3061-16G	1016	2	2700	Glass Reinforced Polyester
18	AR3061-16S	1043	2	600	Glass Reinforced Polyester
19	AR3061-16SQ	1043	2	600	Glass Reinforced Polyester
20	AR3061-18B	1041	2	1500	Glass Reinforced Polyester
21	AR3061-20A	1023	2	600	Glass Reinforced Polyester
22	AR3061-20B	1023	2	1500	Glass Reinforced Polyester
23	AR3061-20SQ	1023	2	600	Glass Reinforced Polyester

C	Revised Material Type	MRP	3-4-03
B	Changed insert numbers to the ones we use	TAS	1-11-00
A	Changed item 4 insert no. from 1043 to 0223	BCL	4-21-99
Ltr.	Revision Record	App.	Date

Tolerances Unless otherwise Specified Fractional +/- .015 2 pic dec. +/- .010 3 pic dec. +/- .005 Dia. +/- .006 Angles +/- 1/2° 1 pic. mm +/- 0.5 2 pic. mm +/- 0.13		 Penn Compression Moulding Inc. 540 Pacific St. Irwin, Pa. 15642	
Name:		3061 Series Standoff Insulator	
Dr.	TAS 2/03/97	Chk.	A. Klaus
		App. B. Livingston	
Scale NTS	Dwg No. AR3061	Sheet 2of2	Rev. C