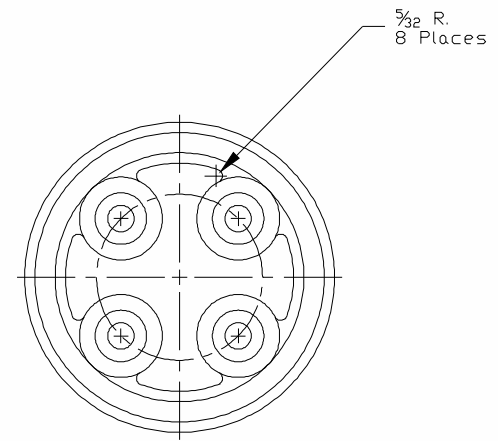
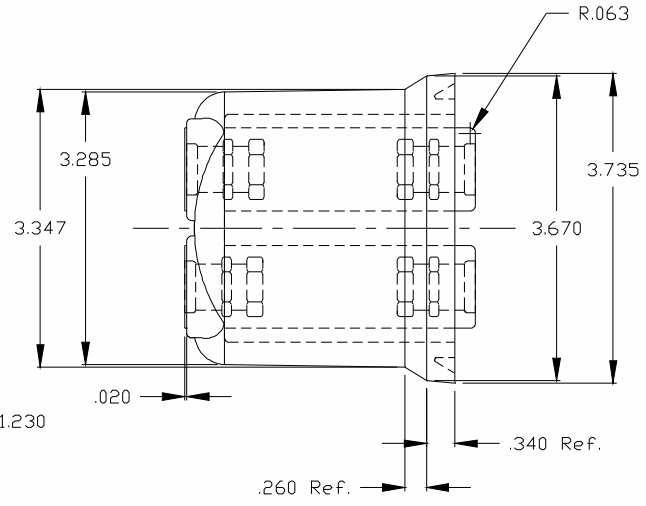
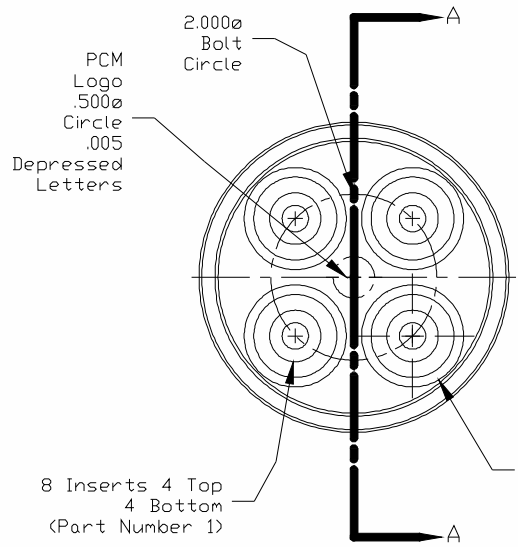
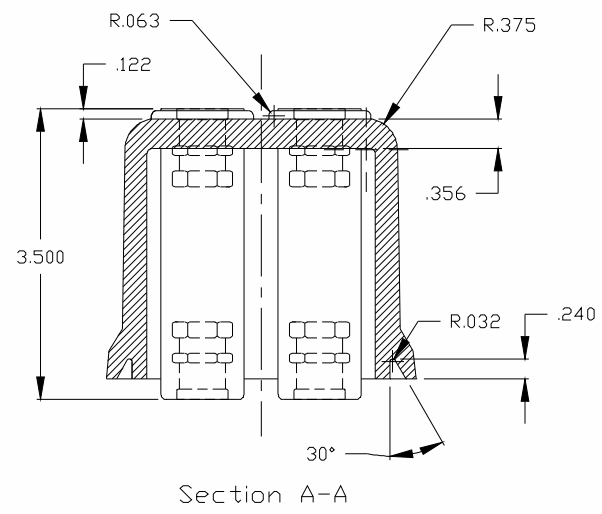


Bill Of Material			
Part No	Part Name	Material	QTY
1	Insert	1015	8
2	Moulding Compound	Glass Reinforced Polyester	N/A



Top and bottom surfaces must be parallel within .030



This document and the information it contains, shall remain the property of Penn Compression Moulding Inc. No reproduction or use of this information is permitted without the express written permission of P.C.M.Inc.

Ltr.	Revision Record	App.	Date
B	Reworked Material Type	MRP	3-4-03
A	Redrawn on AutoCad	TAS	3/4/01

Tolerances Unless otherwise specified Fractional $\pm .015$ 2 pic dec. $\pm .010$ 3 pic dec. $\pm .005$ Dia. $\pm .006$ Angles $\pm .1^\circ$ 1 pic. mm $\pm .05$ 2 pic. mm $\pm .013$		Penn Compression Moulding Inc. 540 Pacific St. Irwin, Pa. 15642 Name: 5405 Series Standoff Insulator (5kV)	Size: C
Dr.	TAS 6/25/97	Chk.	A. Klaus
App.	B. Livingston		
Scale	Dwg No.	AR5405-16A	Sheet 1 of 1
1:1			Rev. B