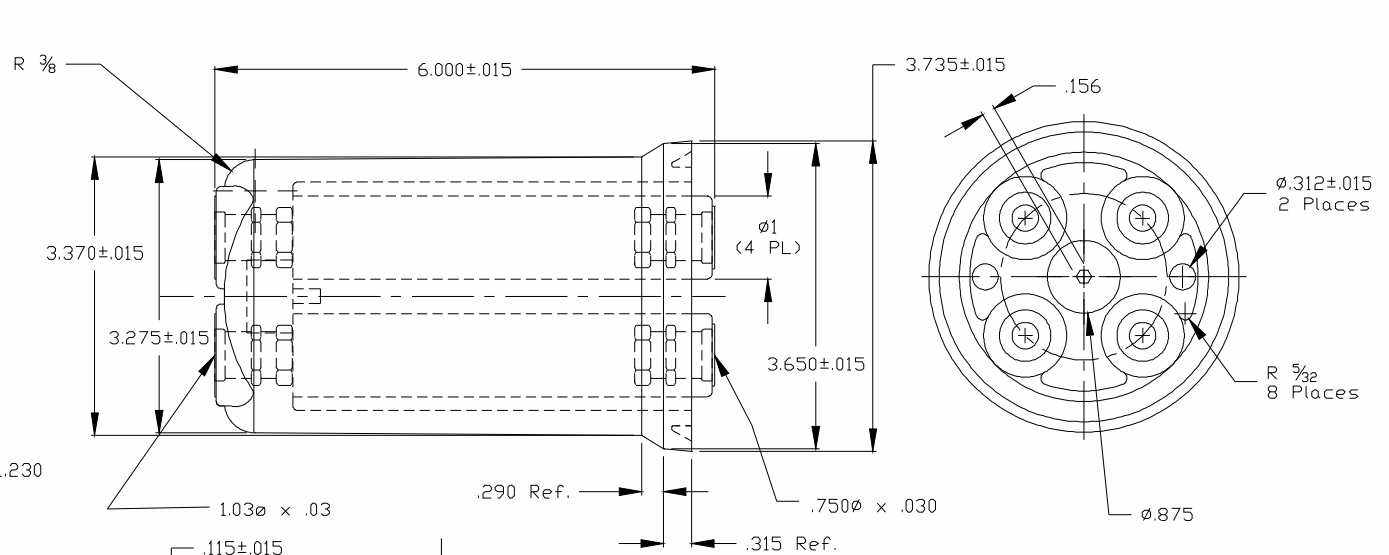
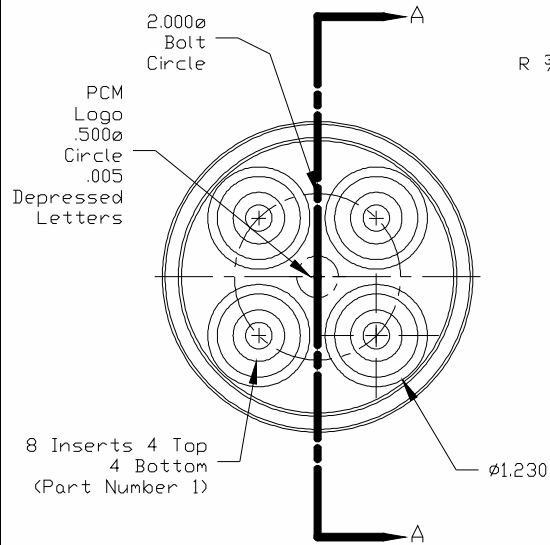
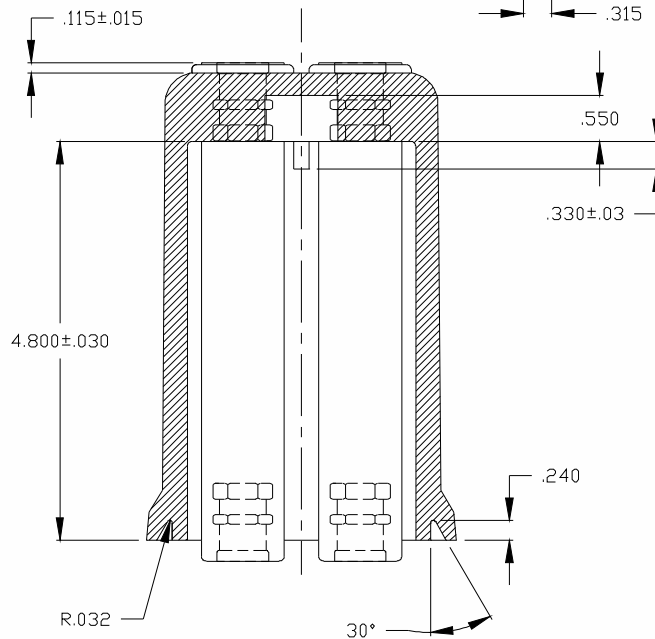


Bill Of Material			
Part No	Part Name	Material	Q'ty
1	Insert	1015	8
2	Moulding Compound	Glass Reinforced Polyester	N/A



Top and bottom surfaces must be parallel within .030



Section A - A

B	Revised Material Type	MRP	3-4-03
A	Redrawn on AutoCad	TAS	3/4/01
Ltr.	Revision Record	App.	Date

Tolerances Unless otherwise Specified Fractional +/- .015 2 pic dec +/- .010 3 pic dec +/- .005 Dia. +/- .008 Angles +/- .5 $^\circ$ 1 pic. mm +/- .05 2 pic. mm +/- .015		<b>PCMW</b>	Penn Compression Moulding Inc. 540 Pacific St. Irwin, Pa. 15642		Size: C
Name: 5420 Series Standoff Insulator (15kv)		Dr. TAS 6/25/97	Chk. A. Klaus	App. B. Livingston	Rev. A
Scale 1:1	Dwg No. AR5420-16A	Sheet 1 of 1		Rev. A	

This document and the information it contains, shall remain the proprietary property of Penn Compression Moulding Inc. No reproduction or use of this information is permitted without the express written permission of P.C.M., Inc.